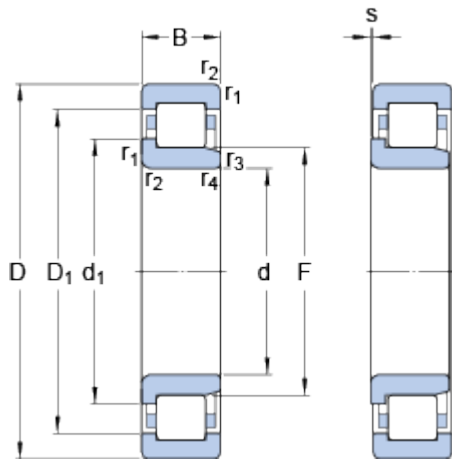


NJ 2216 ECJ

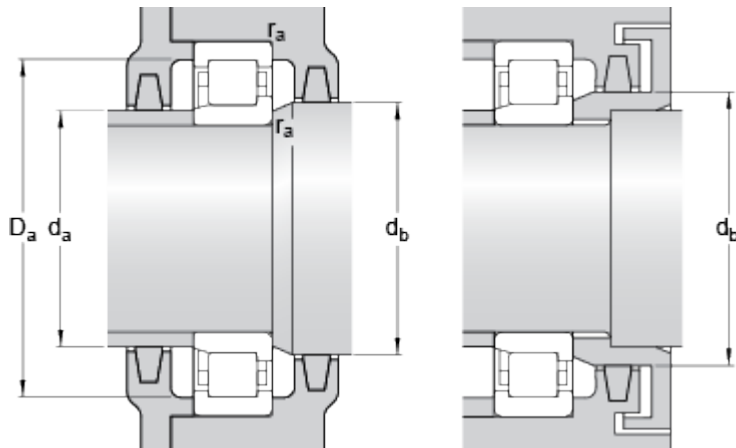
SKF Explorer

Dimensions



d		80	mm
D		140	mm
B		33	mm
d ₁	≈	101	mm
D ₁	≈	121.7	mm
F		95.3	mm
r _{1,2}	min.	2	mm
r _{3,4}	min.	2	mm
s		1.4	mm

Abutment dimensions



d _a	min.	90	mm
d _a	max.	93	mm
d _b	min.	104	mm
D _a	max.	129.8	mm
r _a	max.	2	mm

Calculation data

Basic dynamic load rating	C	212	kN
Basic static load rating	C ₀	245	kN
Fatigue load limit	P _u	31	kN
Reference speed		5300	r/min
Limiting speed		5600	r/min
Calculation factor	k _r	0.2	

Mass

Mass bearing		2.017	kg
--------------	--	-------	----

Appropriate products

Angle ring		HJ 216 EC	
------------	--	-----------	--

